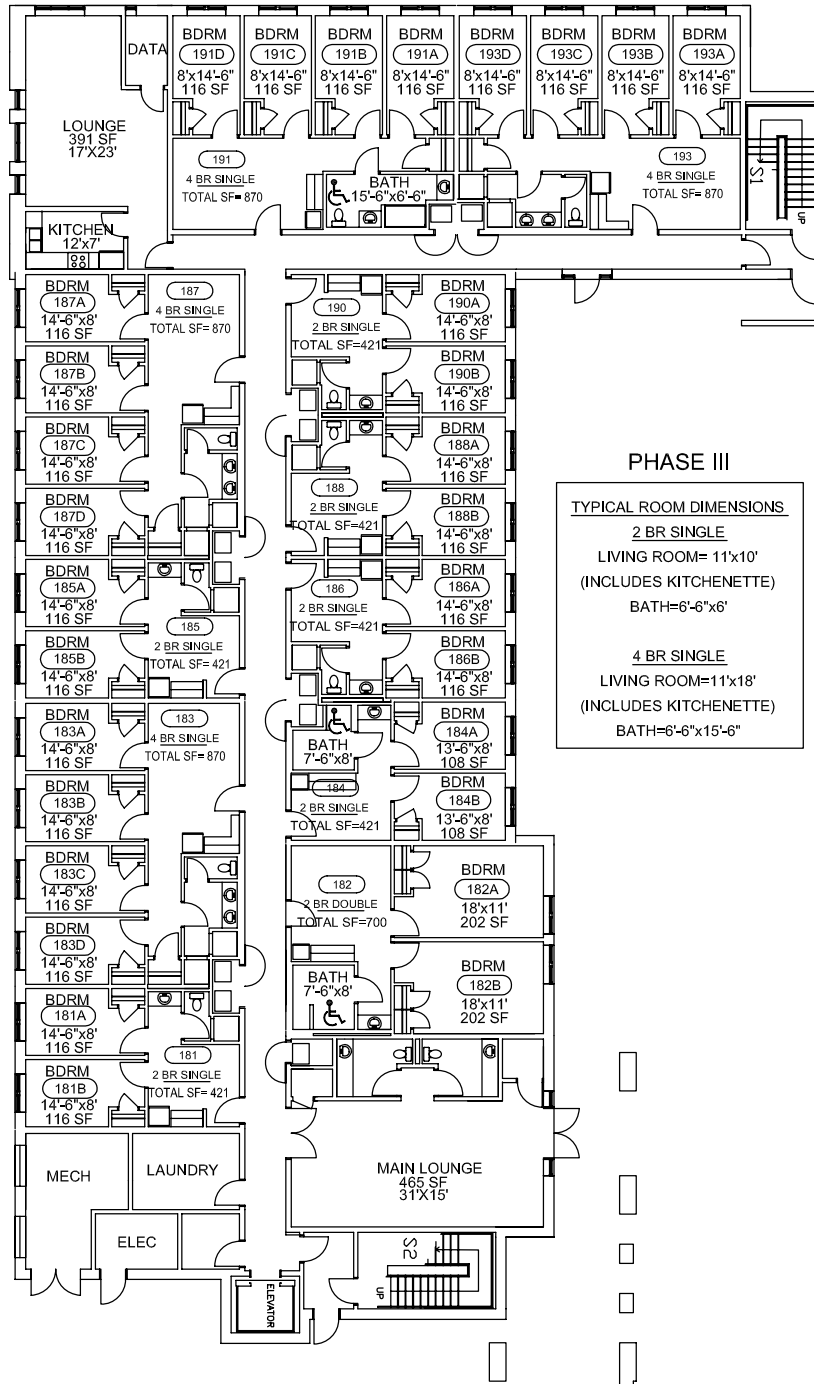


PHASE 3 FIRST FLOOR



VCU Facilities Management

1014 West Franklin Street
Meredith House
Richmond, Va 23284

Phone: 804-828-7006
Fax: 804-828-6617

<http://www.vcu.edu/fmd/>



Not Plotted to Scale

Created By: _____ Date: _____

Revised By: _____ Date: _____

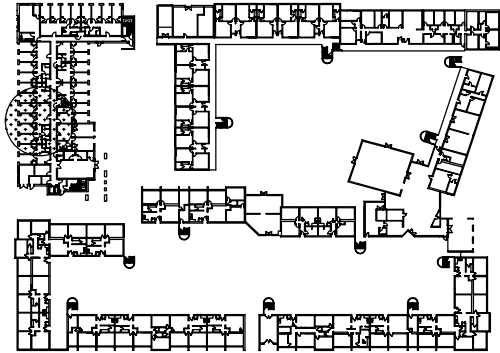
VTW 09/2006

Building Number: 164

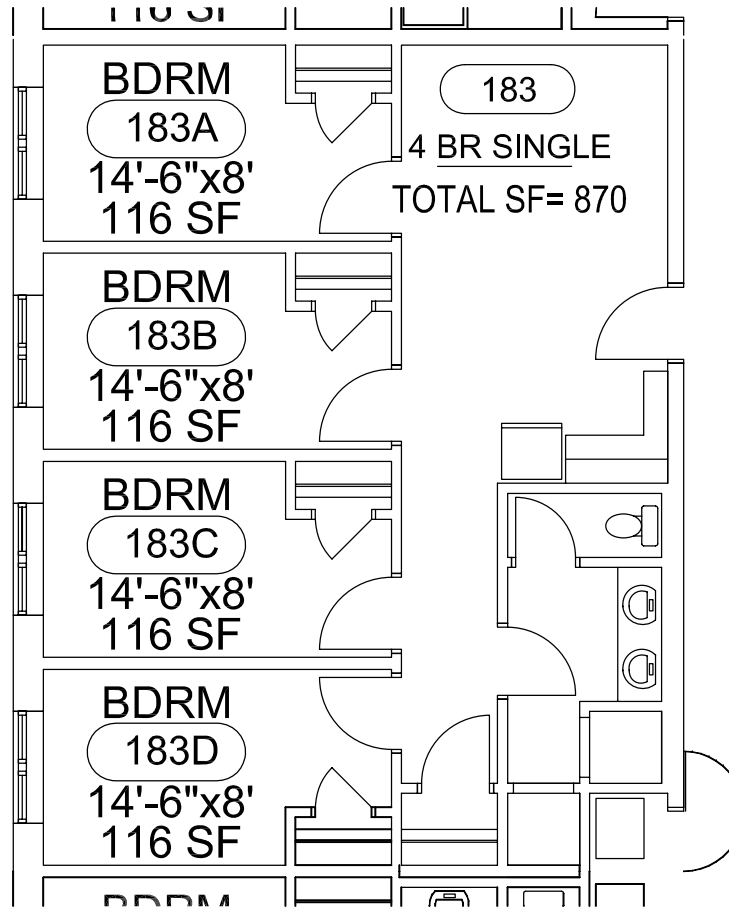
Building Name: GLADDING RESIDENCE CENTER



Floor Number: PH3-01



PHASE 3 FIRST FLOOR



1

GLADDING RESIDENCE-SUITE 183

Scale: 1/8"=1'-0"

VCU Facilities Management

1014 West Franklin Street
Meredith House
Richmond, Va 23284

Phone: 804-828-7006
Fax: 804-828-6617

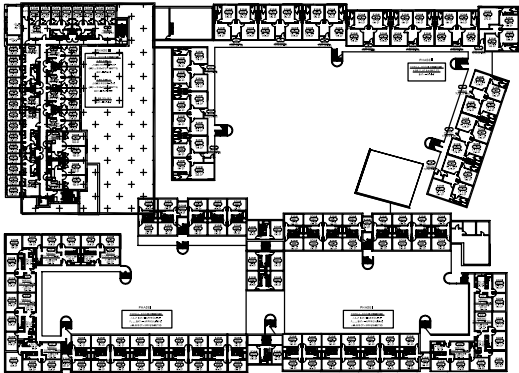
<http://www.vcu.edu/fmd/>



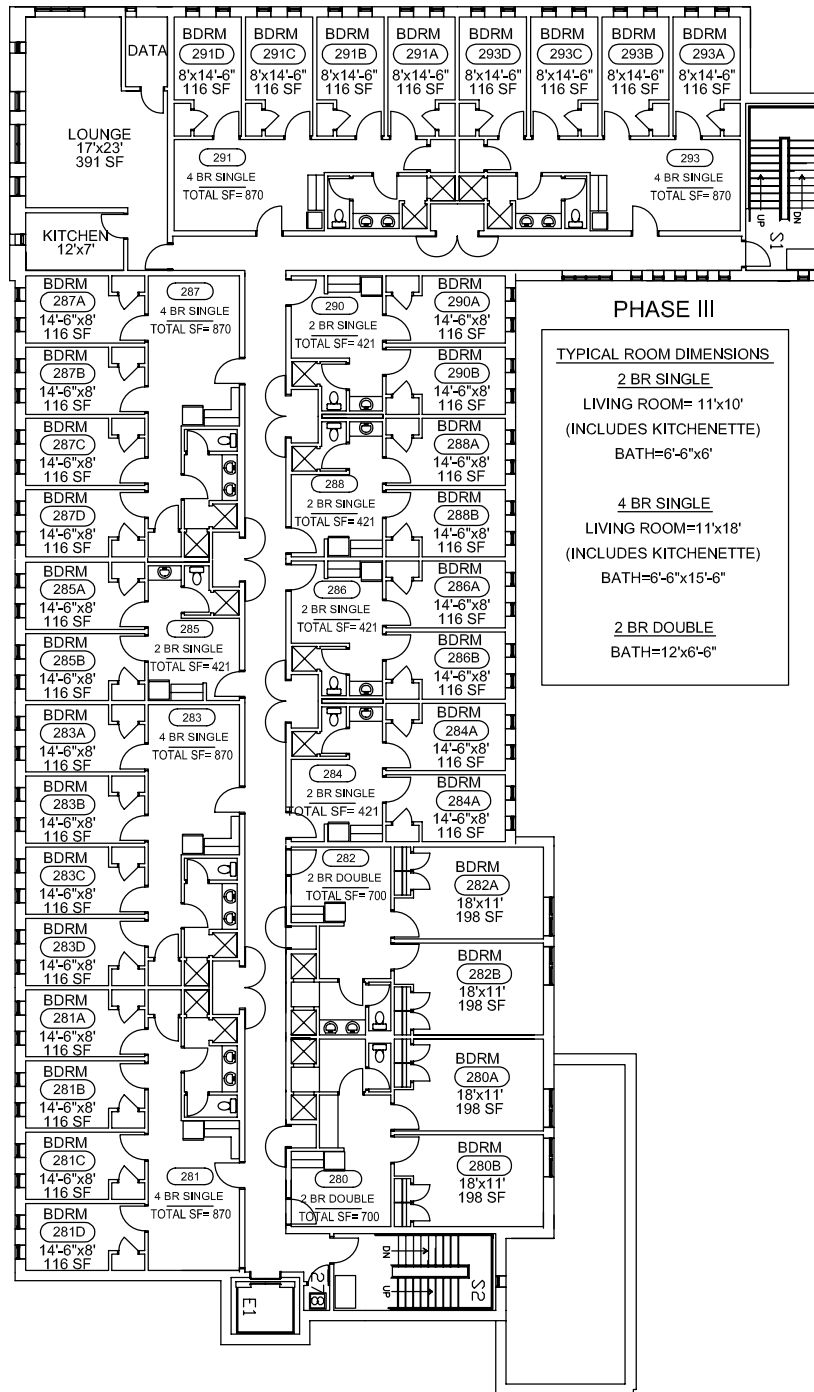
Not Plotted to Scale

Created By:	Date:
KSA	04/2006
Revised By:	Date:
CSF	05/2006
Building Number:	164
Building Name:	GLADDING RESIDENCE CENTER
Floor Number:	PH3-01





PHASE 3 SECOND FLOOR



VCU Facilities Management

1014 West Franklin Street
Meredith House
Richmond, Va 23284

Phone: 804-828-7006
Fax: 804-828-6617

<http://www.vcu.edu/fmd/>



Not Plotted to Scale

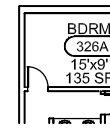
Created By:	Date:
KSA	04/2006

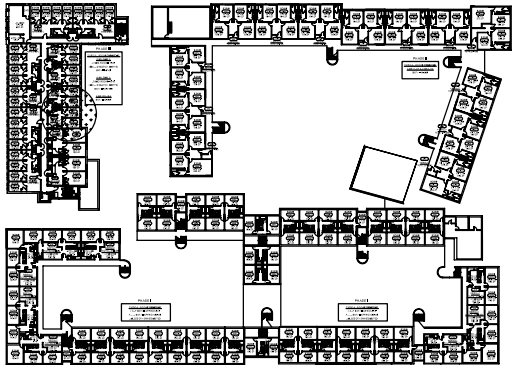
Revised By:	Date:
CSF	05/2006

Building Number:	164
------------------	-----

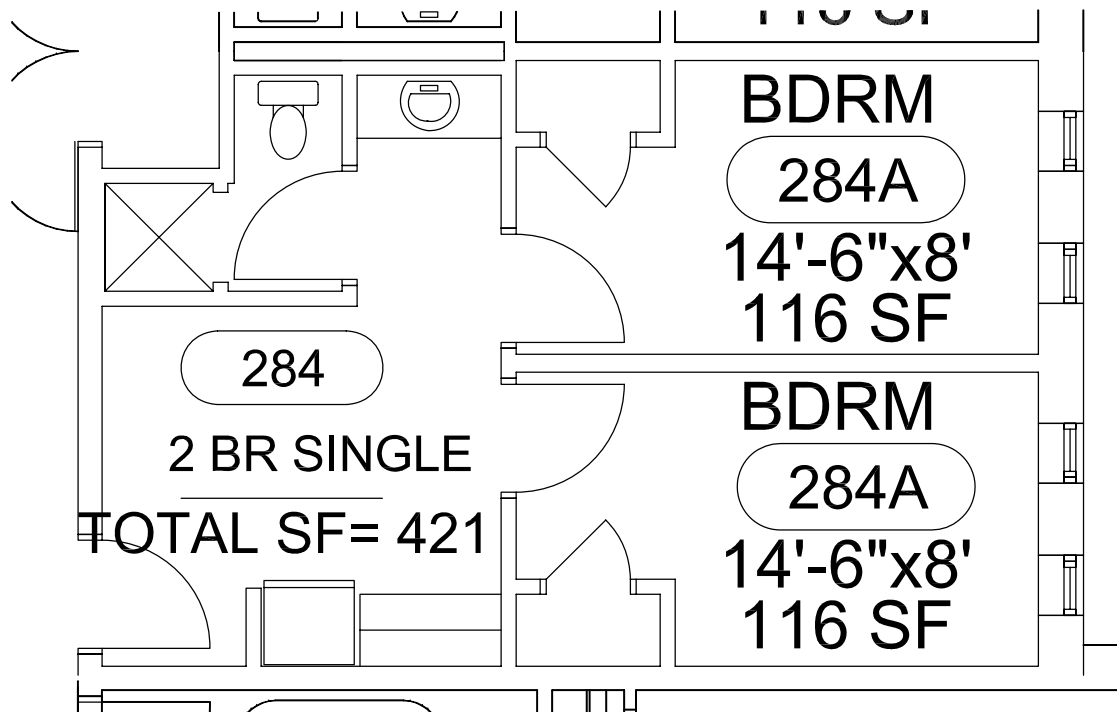
Building Name:	GLADDING RESIDENCE CENTER
----------------	---------------------------

Floor Number:	PH3-02
---------------	--------





PHASE 3 SECOND FLOOR



1 **GLADDING RESIDENCE-SUITE 284**
Scale: 3/16"=1'-0"

VCU Facilities Management

1014 West Franklin Street
Meredith House
Richmond, Va 23284

Phone: 804-828-7006
Fax: 804-828-6617

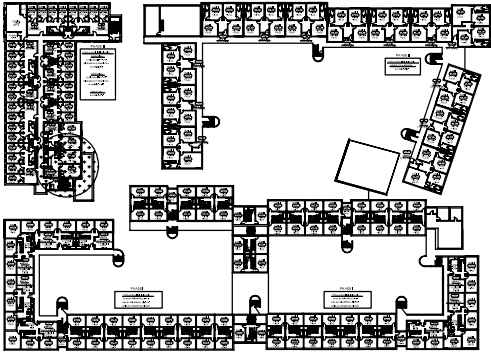
<http://www.vcu.edu/fmd/>



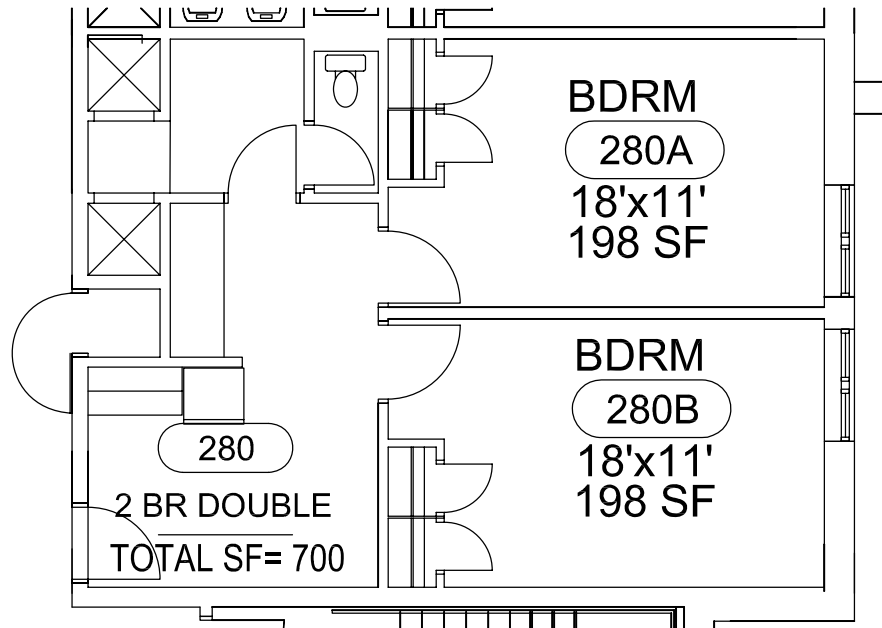
Not Plotted to Scale

Created By:	Date:
KSA	04/2006
Revised By:	Date:
CSF	05/2006
Building Number:	164
Building Name:	GLADDING RESIDENCE CENTER
Floor Number:	PH3-02





PHASE 3 SECOND FLOOR



1

GLADDING RESIDENCE-SUITE 280

Scale: 1/8"=1'-0"

VCU Facilities Management

1014 West Franklin Street
Meredith House
Richmond, Va 23284

Phone: 804-828-7006
Fax: 804-828-6617

<http://www.vcu.edu/fmd/>



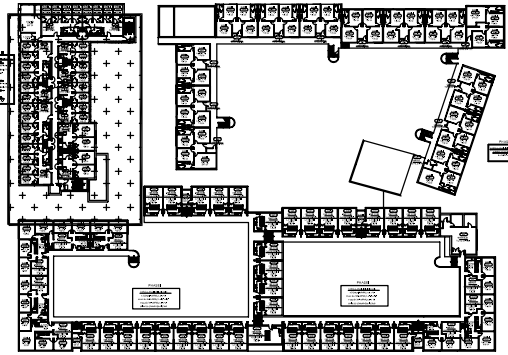
Not Plotted to Scale

Created By:	Date:
KSA	04/2006
Revised By:	Date:
CSF	04/2006

Building Number: 164

Building Name:
GLADDING RESIDENCE
CENTER

Floor Number:
PH3-02

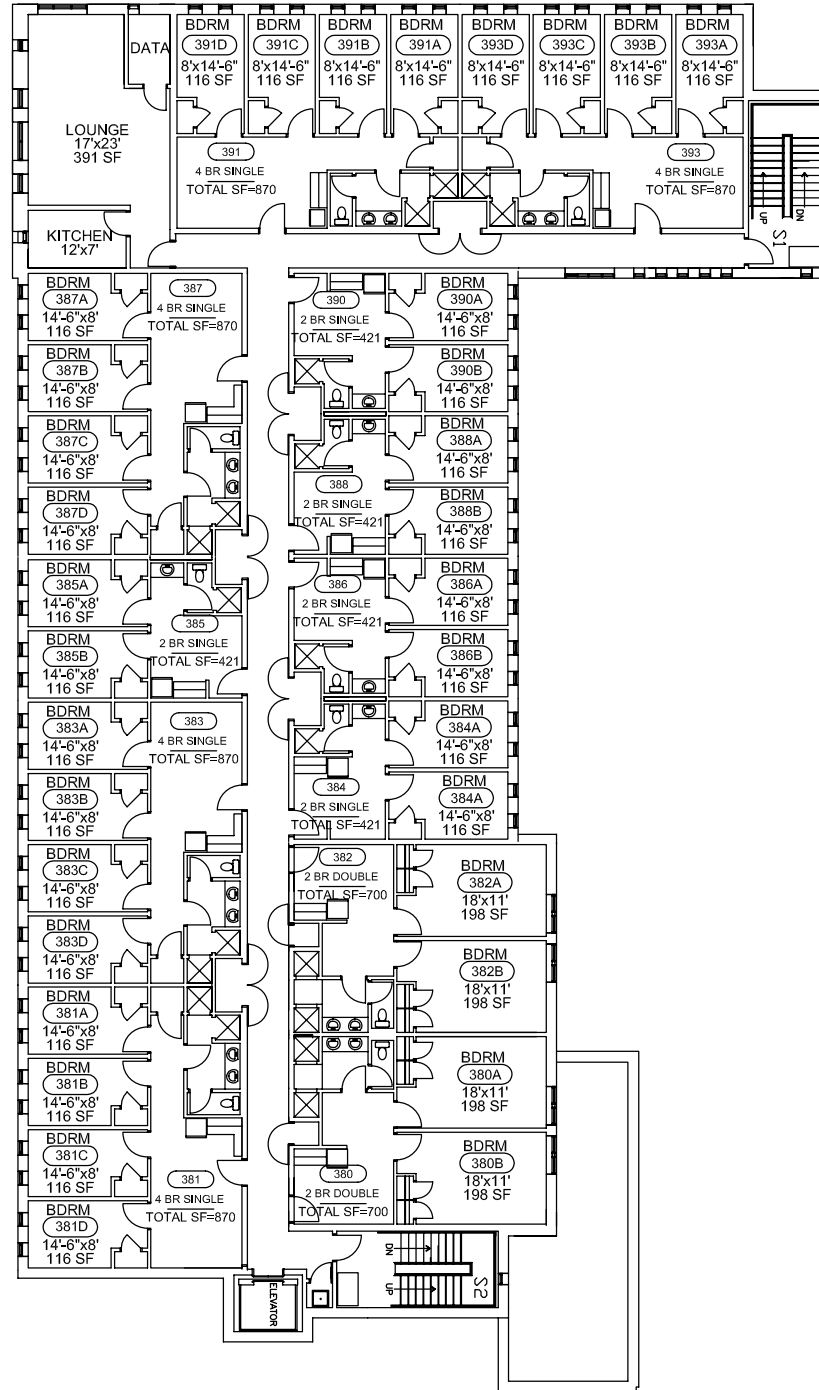


PHASE 3 THIRD FLOOR

PHASE III

TYPICAL ROOM DIMENSIONS

- 2 BR SINGLE**
LIVING ROOM= 11'x10'
(INCLUDES KITCHENETTE)
BATH=6'-6"x6'
- 4 BR SINGLE**
LIVING ROOM=11'x18'
(INCLUDES KITCHENETTE)
BATH=6'-6"x15'-6"
- 2 BR DOUBLE**
BATH = 12' x 6'-6"



VCU Facilities Management

1014 West Franklin Street
Meredith House
Richmond, Va 23284

Phone: 804-828-7006
Fax: 804-828-6617

<http://www.vcu.edu/fmd/>



Not Plotted to Scale

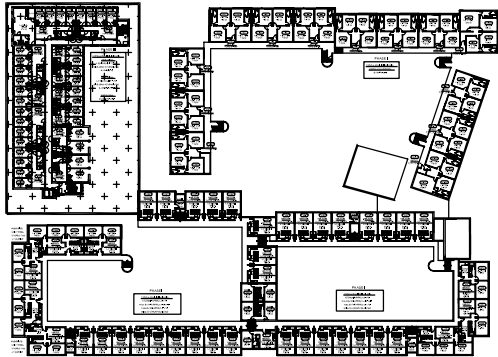
Created By:	Date:
Planning & Design	09/01/1997

Revised By:	Date:
VTW	9/2006

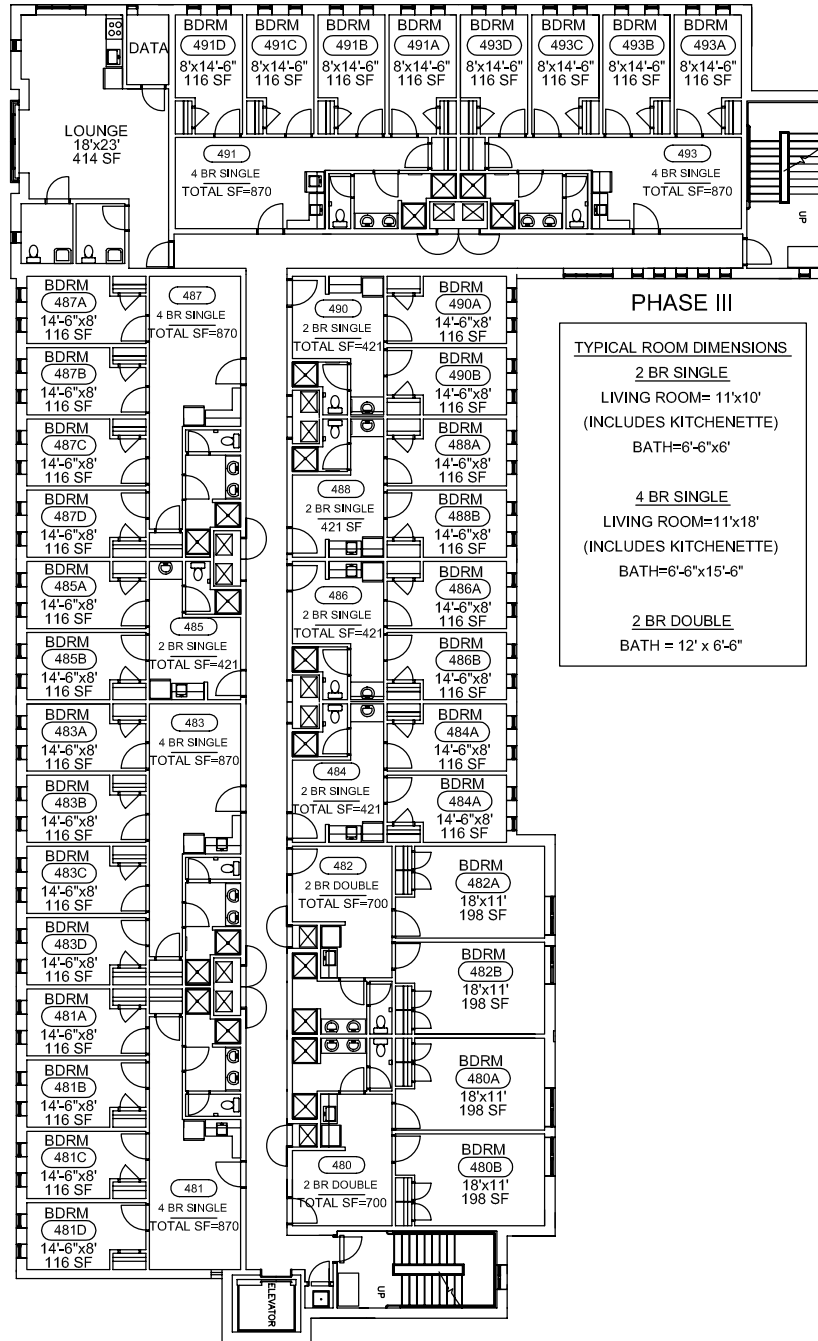
Building Number:	164
------------------	-----

Building Name:	GLADDING RESIDENCE CENTER
----------------	---------------------------

Floor Number:	PH3-03
---------------	--------



PHASE 3 FOURTH FLOOR



426	4:
2 BR TOWN	4 BR 1
TOTAL SF=780	TOTAL
LIVING RM	LIVING
225 SF	225

VCU Facilities Management

1014 West Franklin Street
Meredith House
Richmond, Va 23284

Phone: 804-828-7006
Fax: 804-828-6617

<http://www.vcu.edu/fmd/>



Not Plotted to Scale

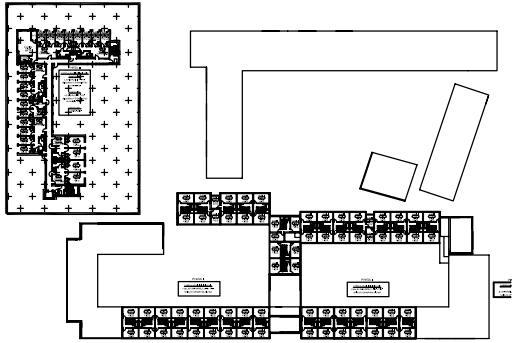
Created By:	Date:
Planning & Design	09/01/1997

Revised By:	Date:
VTW	09/2006

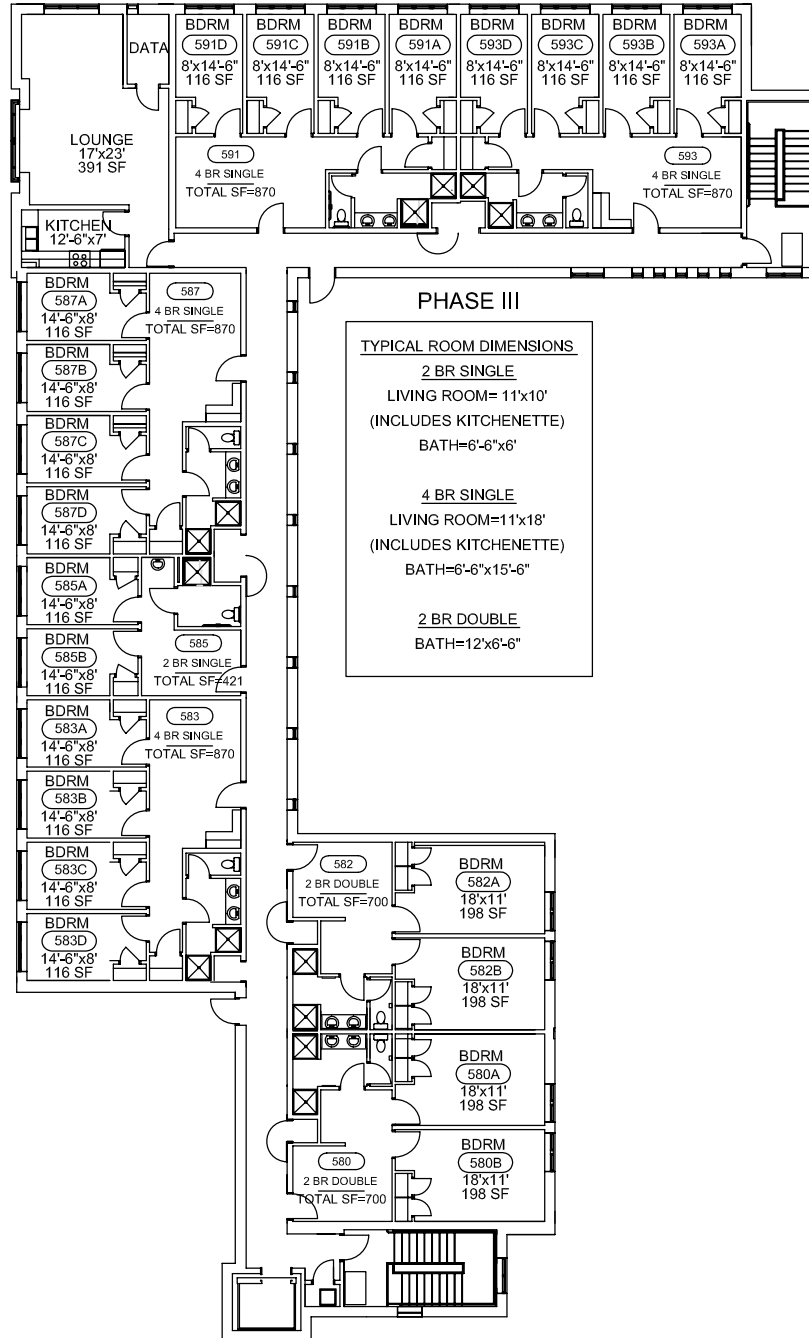
Building Number:	164
------------------	-----

Building Name:	GLADDING RESIDENCE CENTER
----------------	---------------------------

	Floor Number:
	PH3-04



PHASE 3 FIFTH FLOOR



VCU Facilities Management

1014 West Franklin Street
Meredith House
Richmond, Va 23284

Phone: 804-828-7006
Fax: 804-828-6617

<http://www.vcu.edu/fmd/>



Not Plotted to Scale

Created By:	Date:
Planning & Design	09/01/1997

Revised By:	Date:
VTW	09/2006

Building Number:	164
------------------	-----

Building Name:
GLADDING RESIDENCE CENTER

Floor Number:	PH3-05
---------------	--------